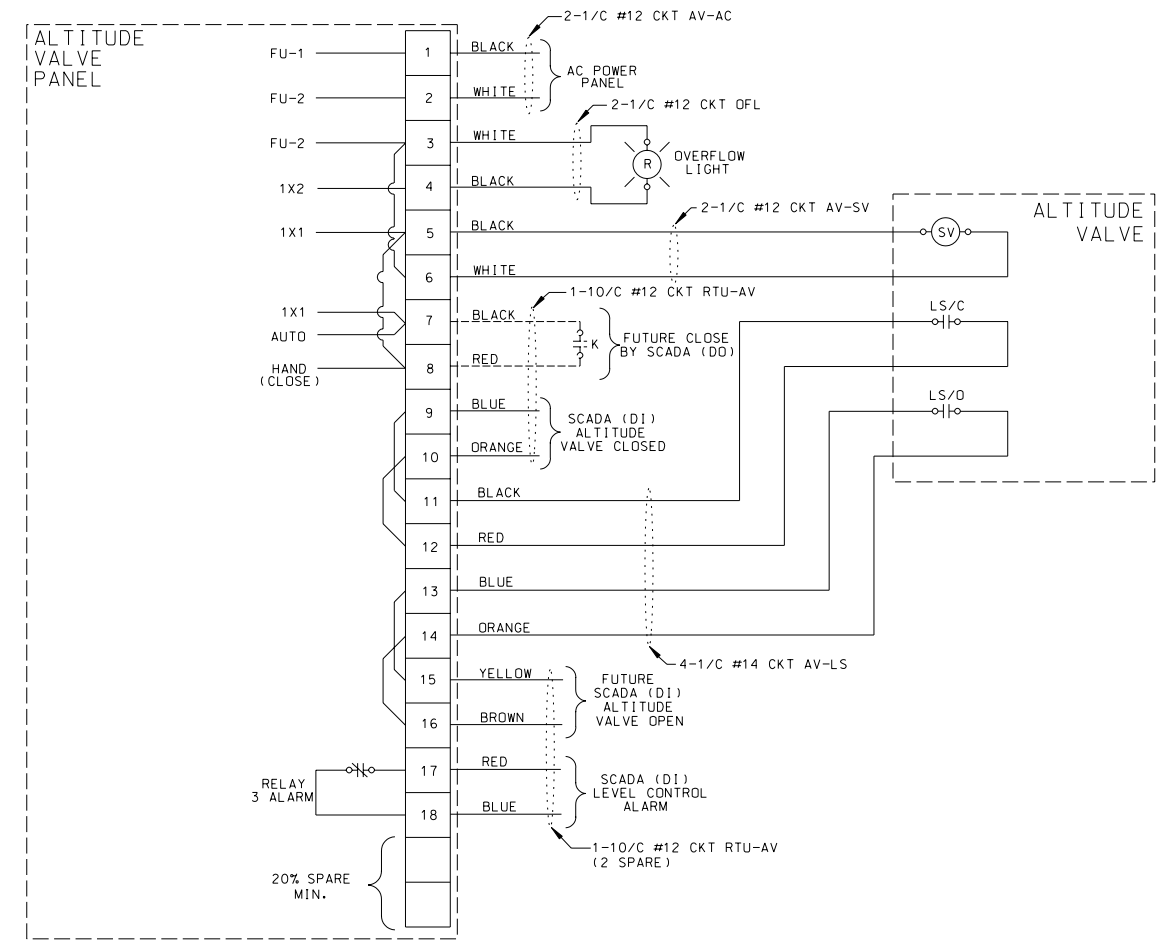


A ALTITUDE VALVE PANEL SCHEMATIC

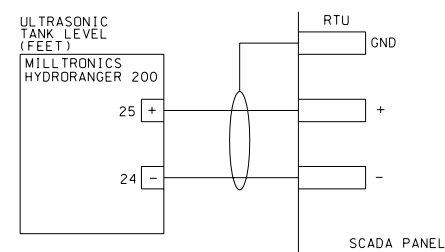
TERMINAL POINT IN ALTITUDE VALVE PANEL
DARK SIDE INDICATES CONNECTION INTERNAL TO PANEL.



B ALTITUDE VALVE PANEL INTERCONNECT WIRING DIAGRAM

N.T.S.

NOTE: GROUNDING NOT SHOWN. PROVIDE GROUNDING IN ACCORDANCE WITH NEC.



C SCADA ANALOG INPUT LEVEL TRANSMITTER #2 (ULTRASONIC TRANSMITTER)

GEI
GRUBB ENGINEERING, INC.
ELECTRICAL POWER SYSTEMS
ENGINEERING AND TESTING

206 GIBBS SPRING
P.O. BOX 65
CONVERSE, TEXAS 78109

PHONE: (210) 658-7250
FAX: (210) 658-9805
www.grubbenengineering.com

1	CHANGE FROM LEVEL ELECTRODE TO ULTRASONIC LEVEL TRANSMITTER	RDGj	111503
No.	Revision	Drawn	Approved

Revisions			
DESIGN STANDARDS BOOSTER STATION		ALTITUDE VALVE CONTROL	

Developer SAN ANTONIO WATER SYSTEM
Cont. Budget Proj.

SUBMITTED GRUBB ENGINEERING, INC.
APPROVED _____

Map No. _____ Sheet
Section No. _____
Dr. RDGjCh Job No. E25