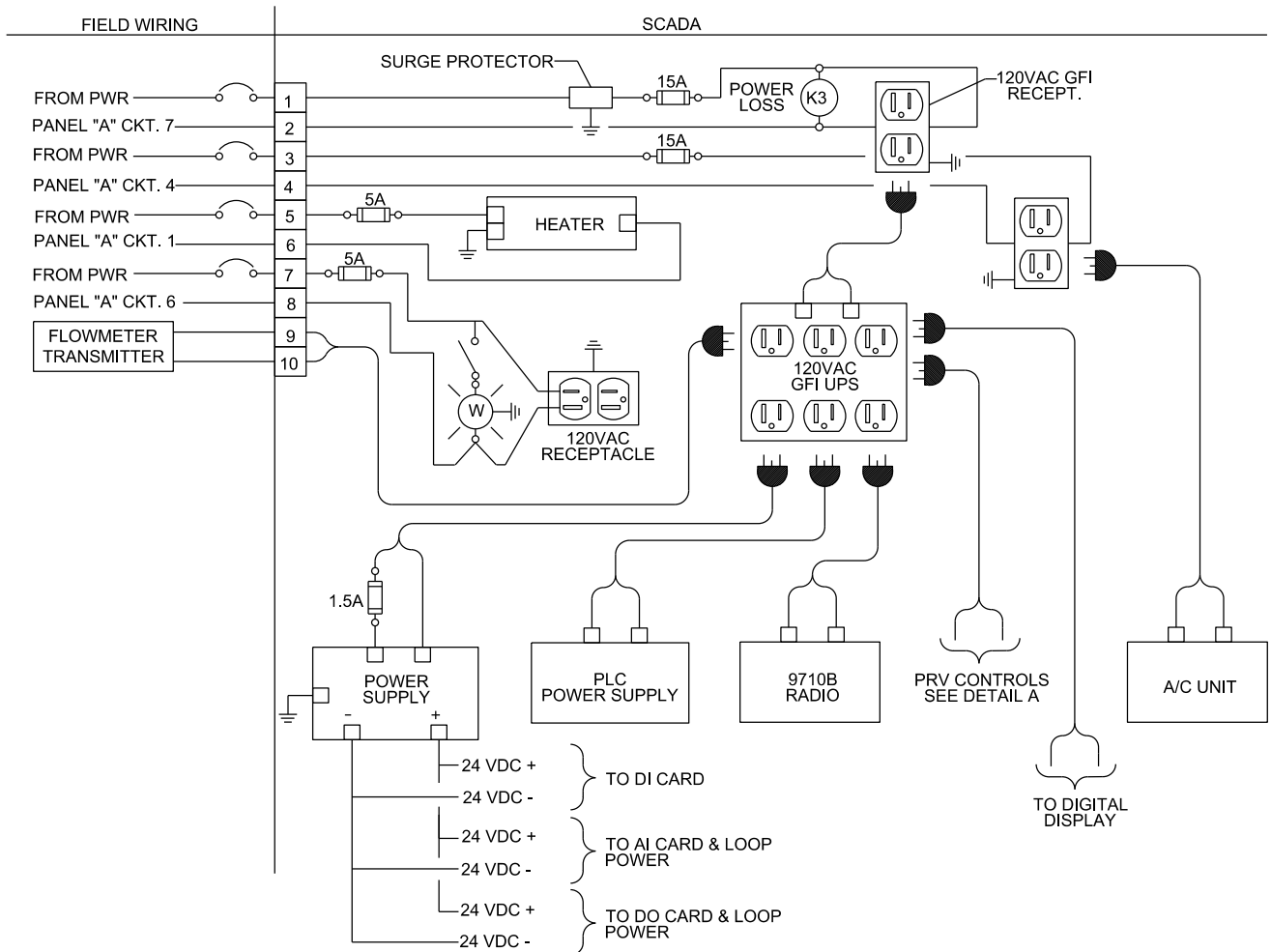


* INDICATES NUMBER
 ◆ TERMINAL POINT IN PRV SCADA PANEL, DARK SIDE INDICATES CONNECTIONS INTERNAL TO PANEL.

A TYPICAL SCADA PRV CONTROL SCHEMATIC
 SCALE: N.T.S.



B SCADA POWER DISTRIBUTION
 SCALE: N.T.S.

DD-905-11

SHEET
 1 OF 1

SAN ANTONIO WATER SYSTEM
 SAN ANTONIO, TEXAS



APPROVED:
 SEPTEMBER 2012

REVISED:

SCADA CONTROL SCHEMATIC AND POWER DISTRIBUTION