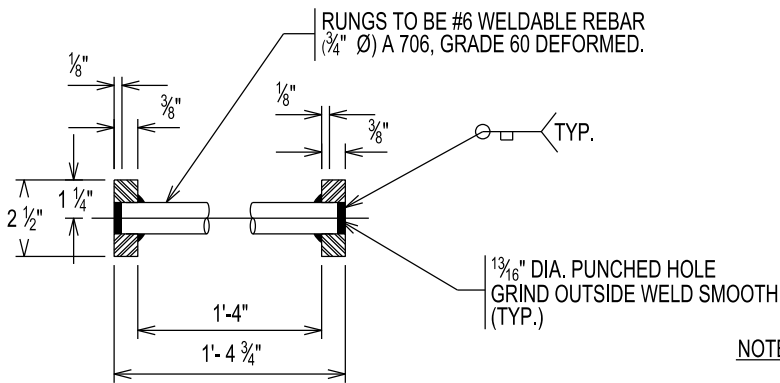


VAULT LADDER DETAILS

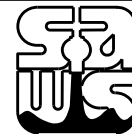


NOTES:

1. ALL WELDS TO BE CONTINUOUS FULL FILLET SEAL WELDS MINIMUM.
2. ALL LADDERS SHALL BE WELDED ALONG SIDE RAILS AND NOT BOLTED.
3. CONTRACTOR TO VERIFY ALL LENGTHS AND DIMENSIONS PRIOR TO FABRICATION TO INSURE 7" MINIMUM TO 12" MAXIMUM TOE CLEARANCE FROM CENTERLINE OF RUNGS TO FACE OF WALL.

DD-905-05

SAN ANTONIO WATER SYSTEM
SAN ANTONIO, TEXAS



APPROVED:
SEPTEMBER 2012

SHEET
1 OF 1

VAULT LADDER DETAILS

REVISED: