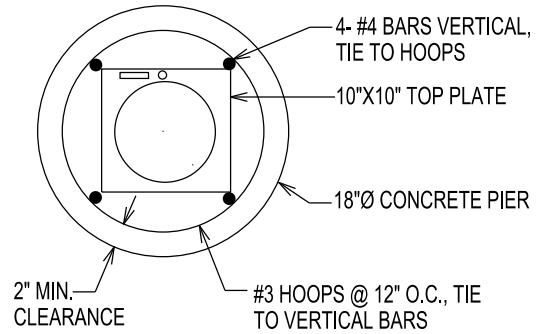


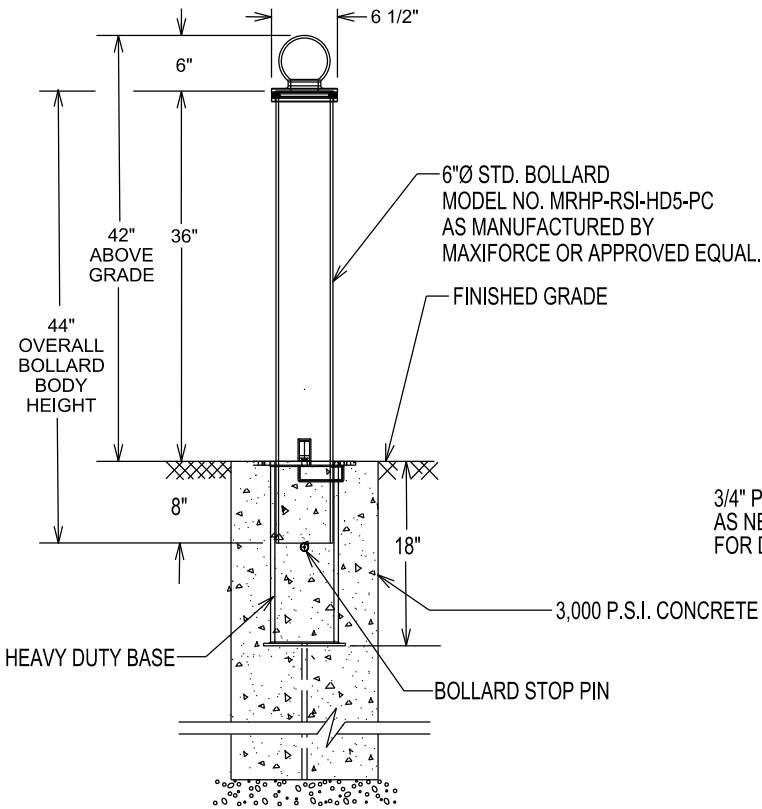
A ISOMETRIC VIEW
SCALE: N.T.S.

NOTE:

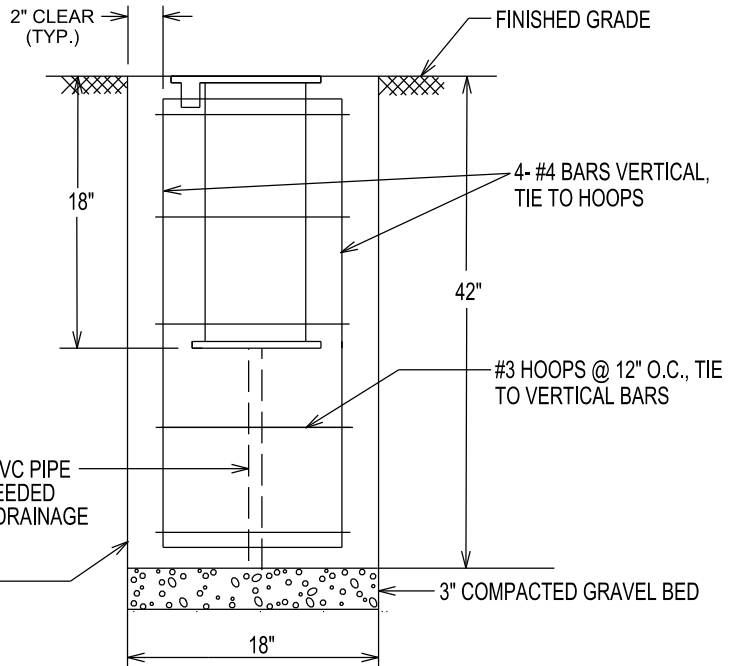
BOLLARDS MUST HAVE A FACTORY FINISH POWDER COAT WITH A SAFETY YELLOW COLOR.



C TOP VIEW
SCALE: N.T.S.



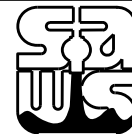
B SECTION VIEW
SCALE: N.T.S.



D SECTION VIEW
SCALE: N.T.S.

DD-905-01

SAN ANTONIO WATER SYSTEM
SAN ANTONIO, TEXAS



APPROVED:
SEPTEMBER 2012

SHEET
2 OF 2

REMOVABLE STEEL BOLLARD

REVISED: