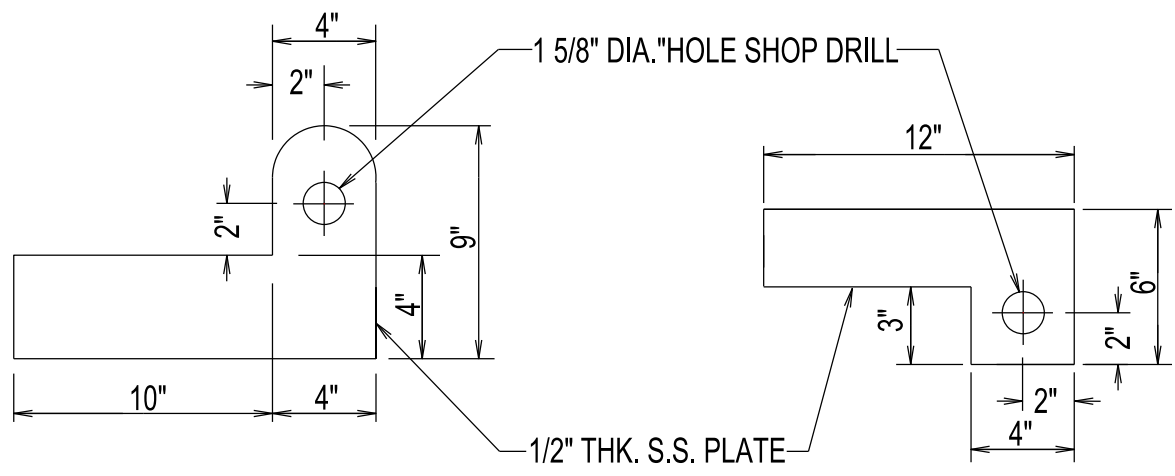


SECTION A - A

CROSS - SECTION

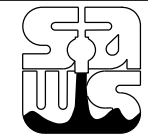


ITEM 1

ITEM 2

DD-904-11

SAN ANTONIO WATER SYSTEM  
SAN ANTONIO, TEXAS



APPROVED:  
MAY 2014

SHEET  
1 OF 1

36" SHELL MANWAY

REVISED: