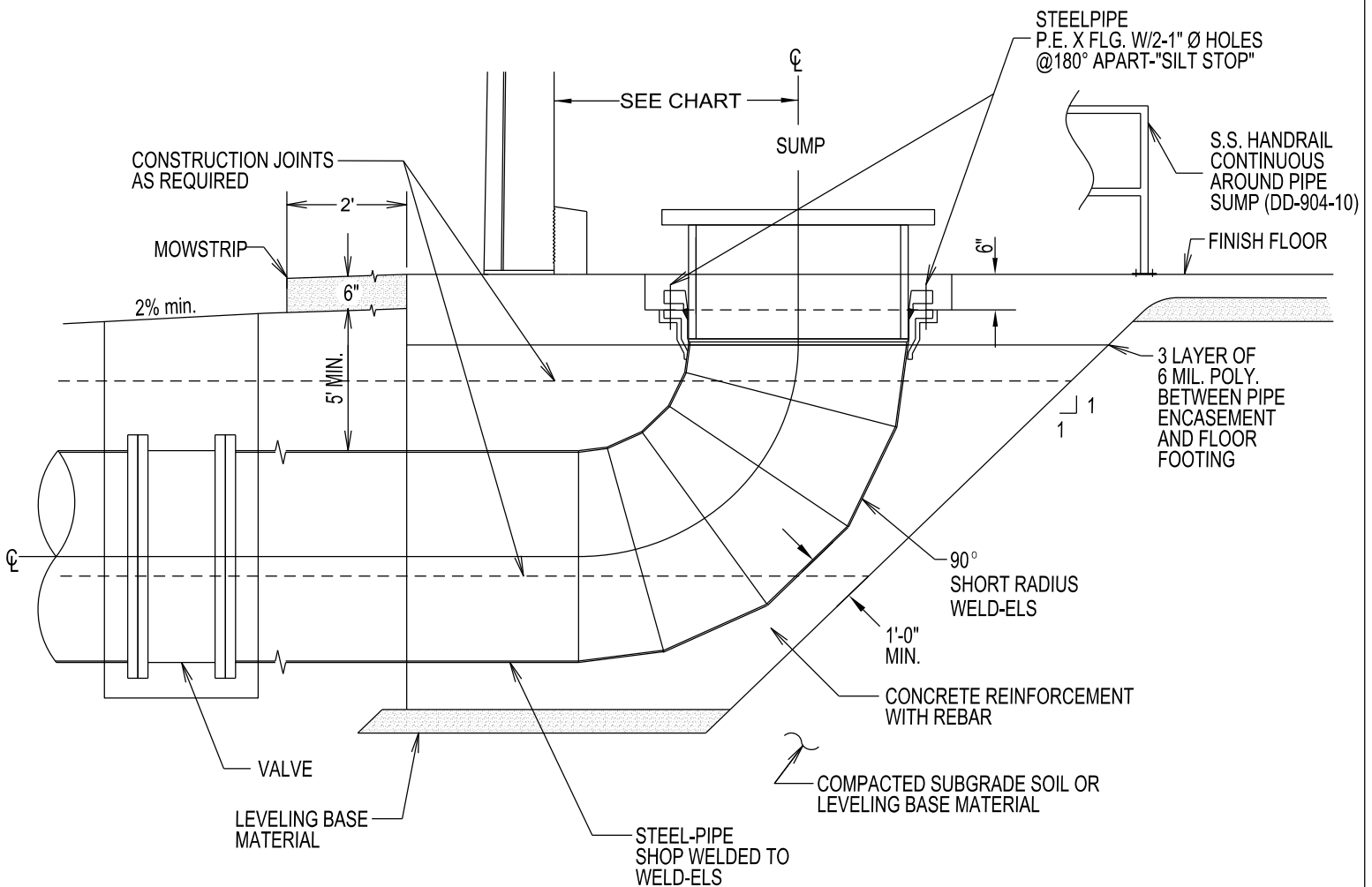


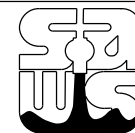
PIPE DIA.	MIN. DIST.
24"	42"
30"	48"
36"	54"
48"	60"
54"	66"
60"	72"



NOTE:  
ALL STAINLESS STEEL IS TYPE 316L

DD-904-04

SAN ANTONIO WATER SYSTEM  
SAN ANTONIO, TEXAS



APPROVED:  
NOV 2011

SHEET  
1 OF 1

FLOOR INLET

REVISED:  
NOV 2011