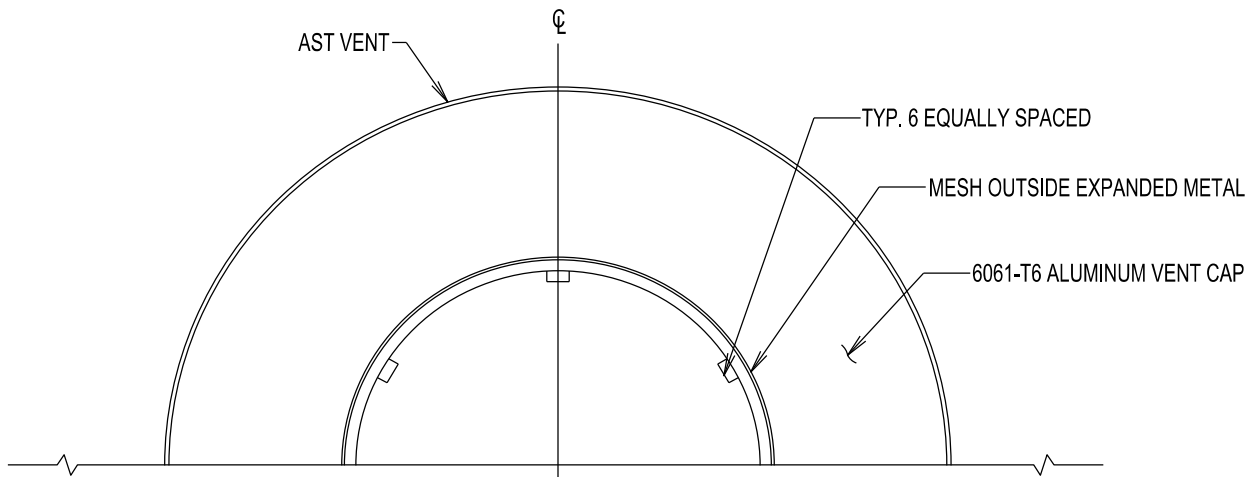


SECTION

NEOPRENE GASKET

SECURE VENT TO CONCRETE WITH S.S. WEDGE ANCHORS (8 REQUIRED)



PLAN

NOTE: VENT SIZE AS REQUIRED BY DESIGN.
 AST VENT ONLY
 (ALWAYS SAFE TANK VENT)

DD-904-03

SHEET 1 OF 1

SAN ANTONIO WATER SYSTEM
 SAN ANTONIO, TEXAS



CENTER VENT

APPROVED:
 JULY 2011

REVISED:
 NOV 2011