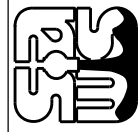


APPROVED:  
JULY 2013

REVISED:

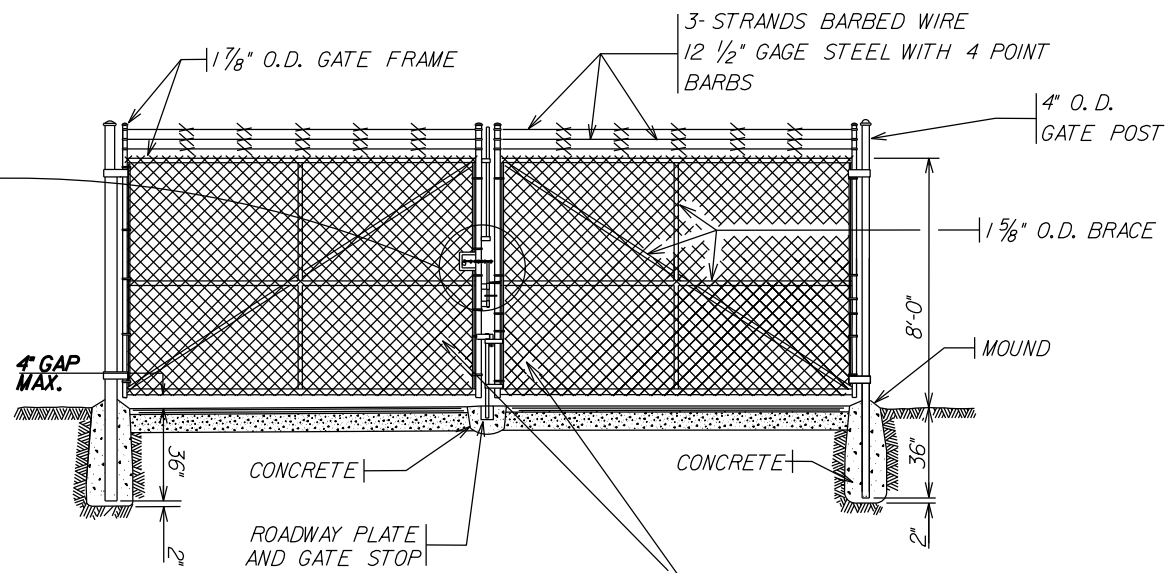
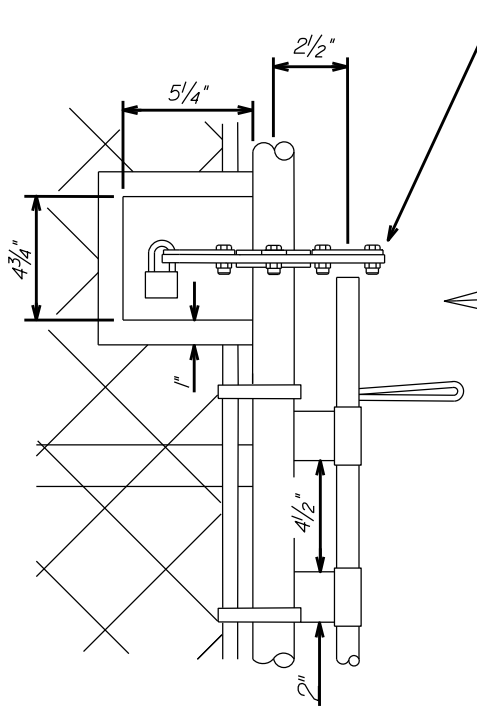
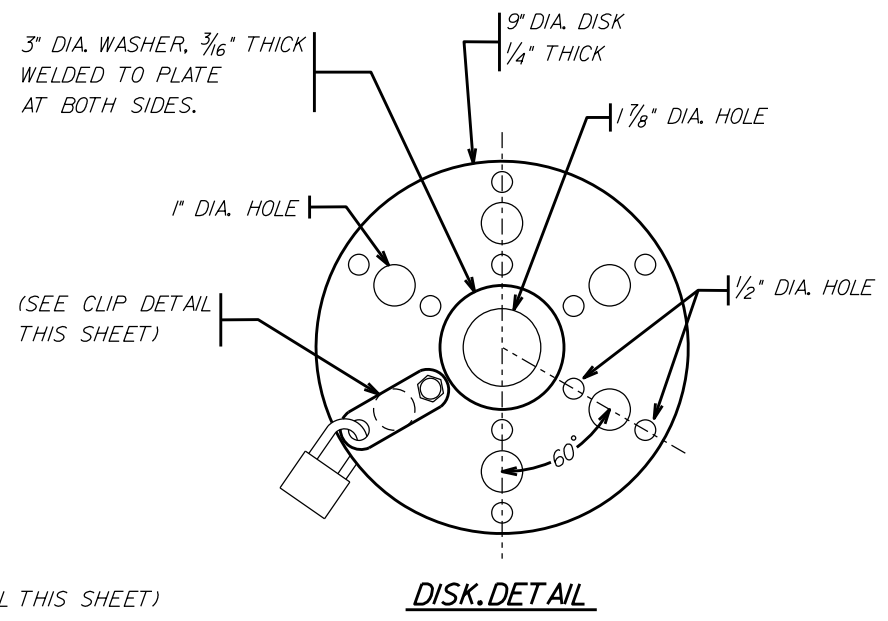
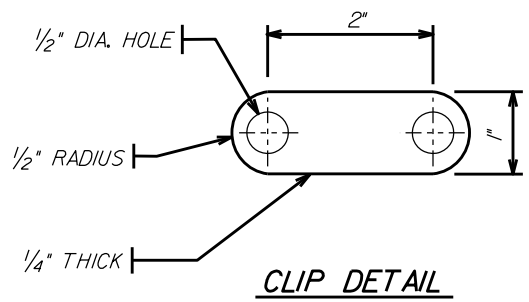


SAN ANTONIO WATER SYSTEM  
SAN ANTONIO, TEXAS

DOUBLE LEAF SWING GATE

DD-903-23

SHEET  
1 OF 1



HOT DIPPED GALVANIZED  
CHAIN-LINK No. 9 GAUGE  
WOVEN IN 1" DIAMOND MESH