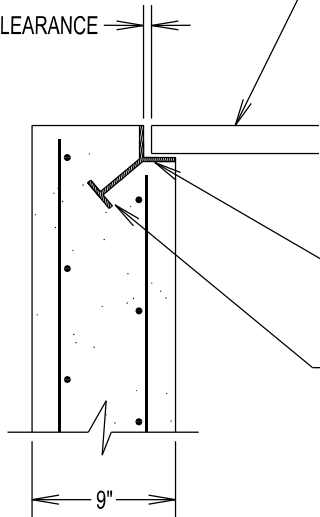


1-1/2" X 3/16" GALVANIZED BAR GRATING ON 2"X2"X1/4" ANGLE (INSIDE PERIMETER) W/4" HCS @ 12" O.C. GRATE TO BE ATTACHED WITH FOUR STAINLESS STEEL ANCHOR CLIPS PER GRATE.

PLAN VIEW

1-1/2" X 3/16" GALVANIZED BAR GRATING ON 2"X2"X1/4" ANGLE (INSIDE PERIMETER) W/4" HCS @ 12" O.C. GRATE TO BE ATTACHED WITH FOUR STAINLESS STEEL ANCHOR CLIPS PER GRATE.

1/4" CLEARANCE



GRATING SUPPORT DETAIL

STAINLESS STEEL SUPPLY LINE

L 1 3/4"X1 3/4"X1/4" (INSIDE PERIMETER) ANGLE FRAME, MATERIAL TO MATCH GRATING, MITER AND WELD CORNERS

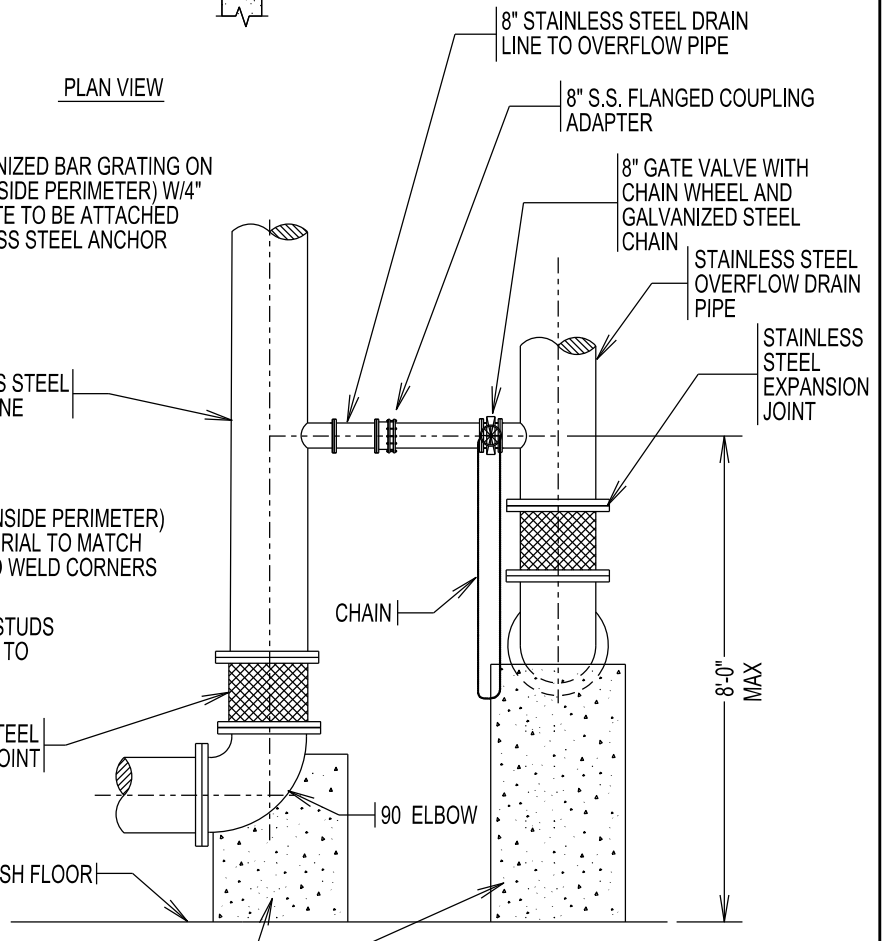
1/2" DIA. X 4" WELDED STUDS @ 12" O.C. MAX, WELD TO ANGLE FRAME

STAINLESS STEEL EXPANSION JOINT

FINISH FLOOR

PROVIDE CONCRETE SUPPORTS PER TANK MANUFACTURER'S RECOMMENDATIONS

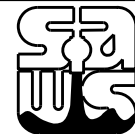
8" DRAIN LINE & VALVE



DD-903-09

SHEET
1 OF 2

SAN ANTONIO WATER SYSTEM
SAN ANTONIO, TEXAS



APPROVED:
MARCH 2011

REVISED:

OVERFLOW DRAINAGE STRUCTURE DETAILS