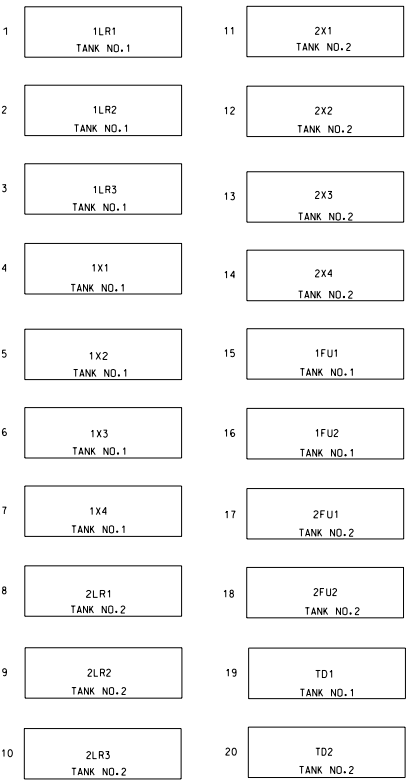


PANEL LAYOUT

CABINET NAMEPLATE

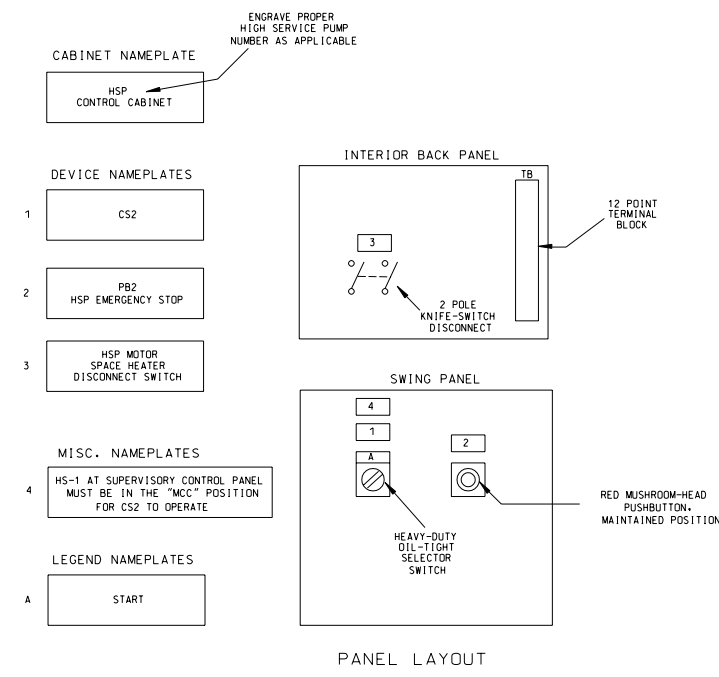
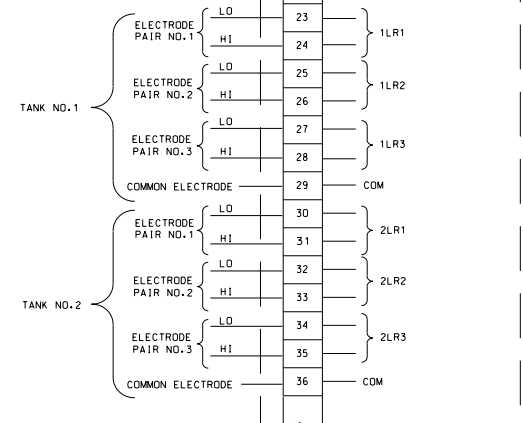
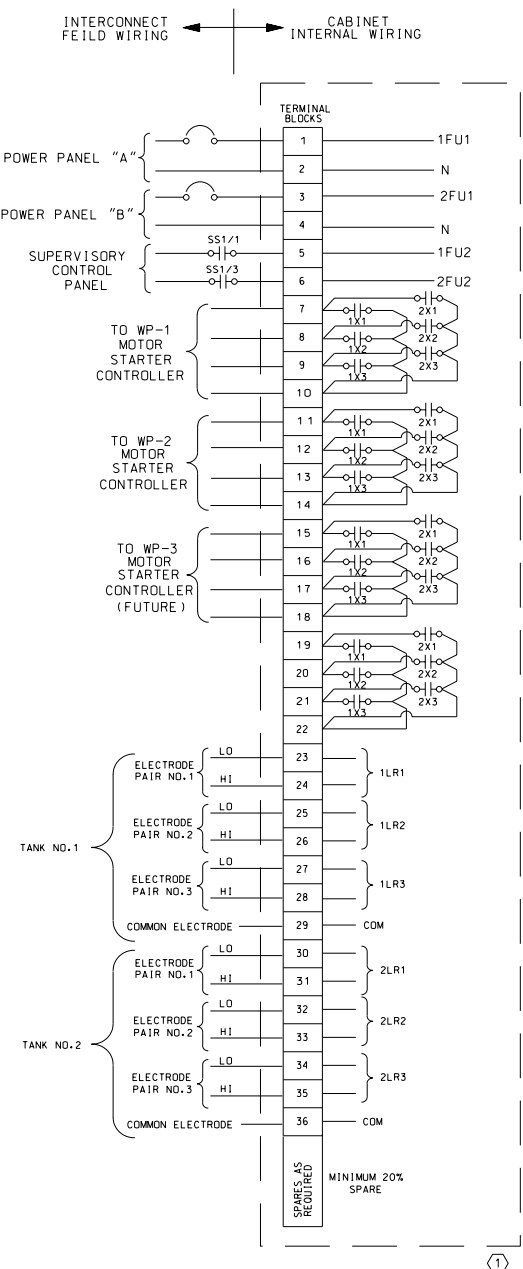


DEVICE NAMEPLATES



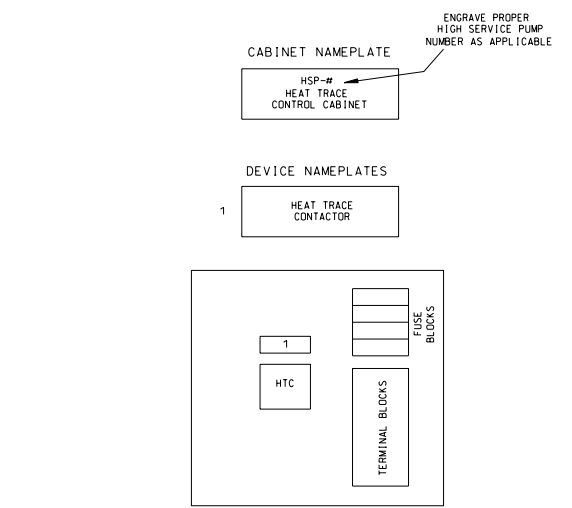
LEVEL ELECTRODE RELAY PANEL

NOTE: GROUNDING NOT SHOWN. PROVIDE GROUNDING IN ACCORDANCE WITH THE NATIONAL ELECTRIC CODE.



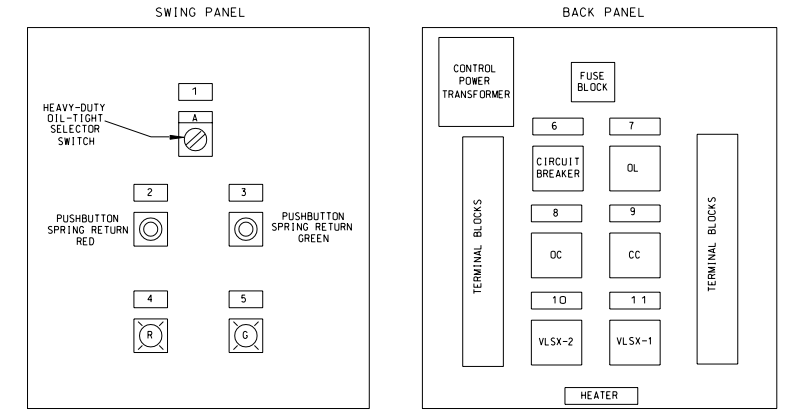
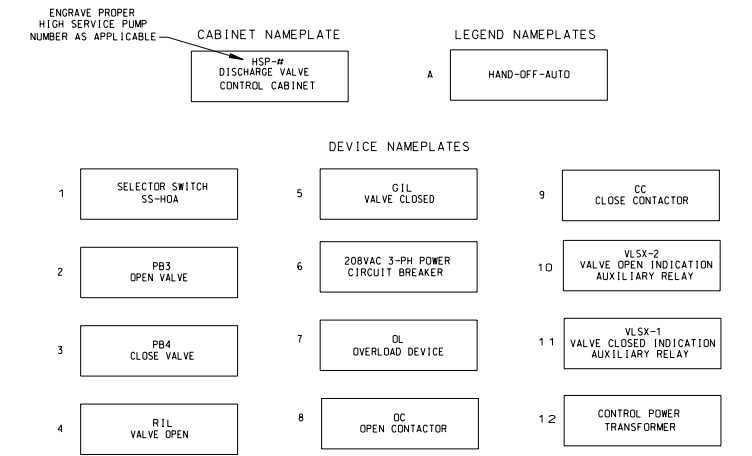
PANEL LAYOUT

HIGH SERVICE PUMP (HSP) CONTROL CABINET
TYPICAL FOR HSP-1, 2, 3, & 4



PANEL LAYOUT

HEAT TRACE CONTROL CABINET
TYPICAL FOR HSP-1, 2, 3, & 4



PANEL LAYOUT

HSP DISCHARGE VALVE (MOV) CONTROL CABINET
TYPICAL FOR HSP-1, 2, 3, & 4

No.	Revision	Drawn	Approved	Date

Revisions

 DESIGN STANDARDS PUMP STATION
 PANEL DETAILS

Developer SAN ANTONIO WATER SYSTEMS
 Cont. Budget Proj.

SUBMITTED GRUBB ENGINEERING, INC.
 APPROVED

Map No. Section No. Job No. Sheet E22