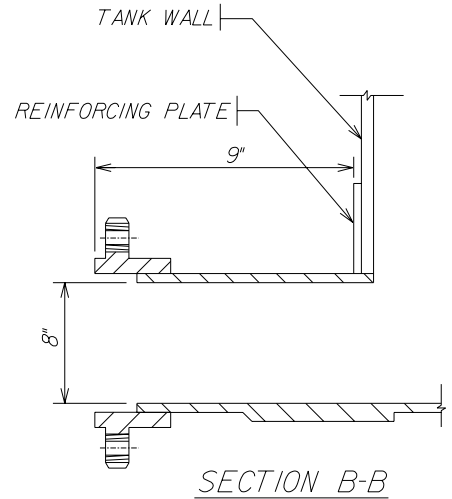
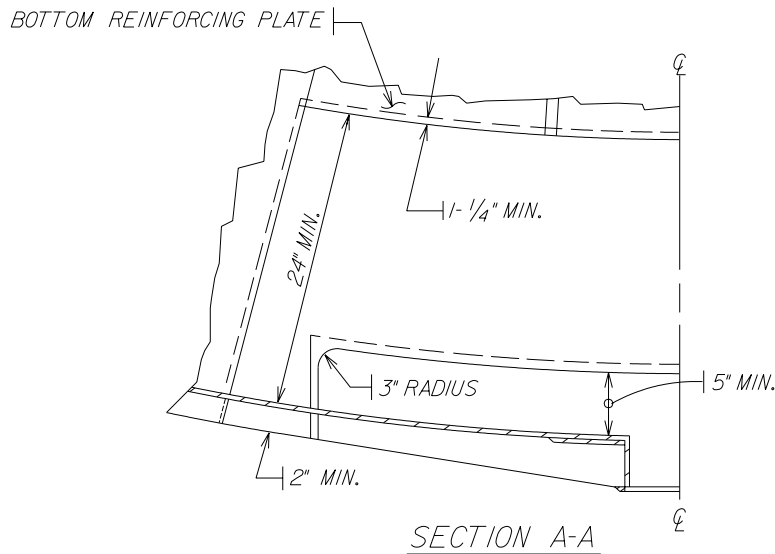


NOTE:
INCLUDE 1/8" NEOPRENE GASKET



NOTE:
1. INSTALL ONE GATE VALVE AT FLANGED OPENING. (VALVE OPEN LEFT)
2. MODIFY RING WALL TO ACCOMODATE FLUSH PENETRATION- SEE DETAIL C-C AND RINGWALL MODIFICATION DETAIL

