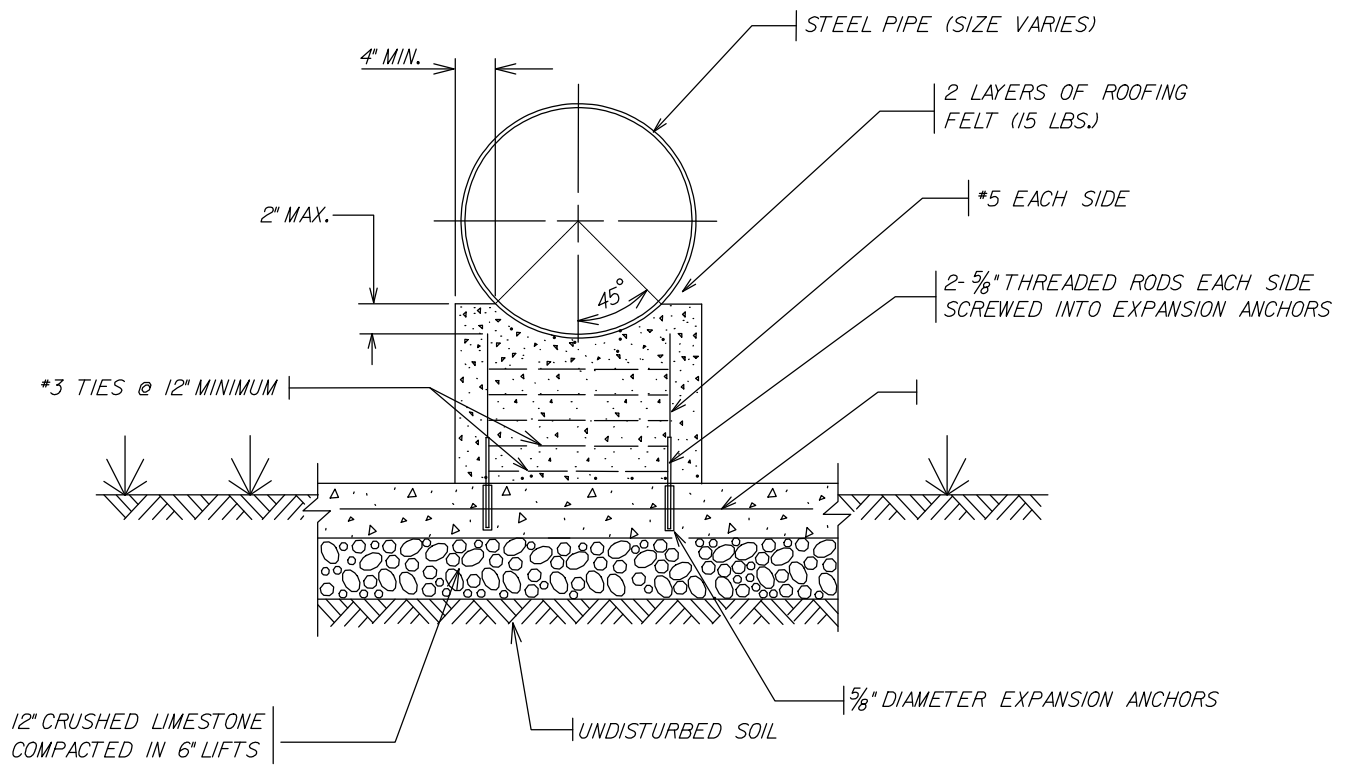


SIDE VIEW



FRONT VIEW

PROPERTY OF SAN ANTONIO WATER SYSTEM SAN ANTONIO, TEXAS	CONCRETE PIPE SUPPORT		APPROVED	REVISED
			7-14-00	
			DD-901-01	SHEET 5 OF 6