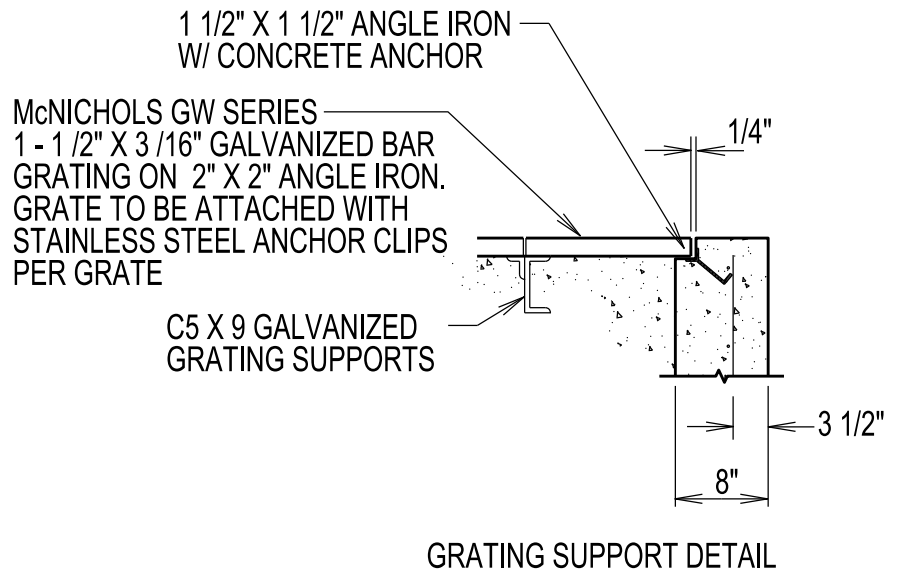


FRONT VIEW

NOTES:

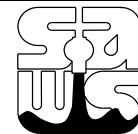
1. DRAIN BOX (9' X 7' MIN.)
2. DRAINAGE BOX STRUCTURE SIZED AS PER INFLOW AND OUTFLOW CAPACITY CALCULATIONS.
3. ALL PENETRATIONS SHALL BE FILLED WITH LINK SEAL AND COVERED WITH NON-SHRINK GROUT.
4. ALL REINFORCING #6 @ 12" O.C., UNLESS OTHERWISE NOTED.
5. OVERFLOW PIPE AND OVERFLOW DRAIN SHALL BE SIZED BY THE ENGINEER.
6. ALL WELDED STEEL PIPING SHALL BE COATED AND LINED WITH A FUSION BONDED EPOXY COATING, 18-20 MILS. D.F.T. MINIMUM. EXPOSED STEEL PIPING SHALL ALSO RECEIVE A TIE COAT AND A FINISHED COAT.



GRATING SUPPORT DETAIL

DD-904-06

SAN ANTONIO WATER SYSTEM  
SAN ANTONIO, TEXAS



APPROVED:  
MAY 2014

SHEET  
2 OF 3

DRAINAGE STRUCTURE - FRONT VIEW

REVISED: