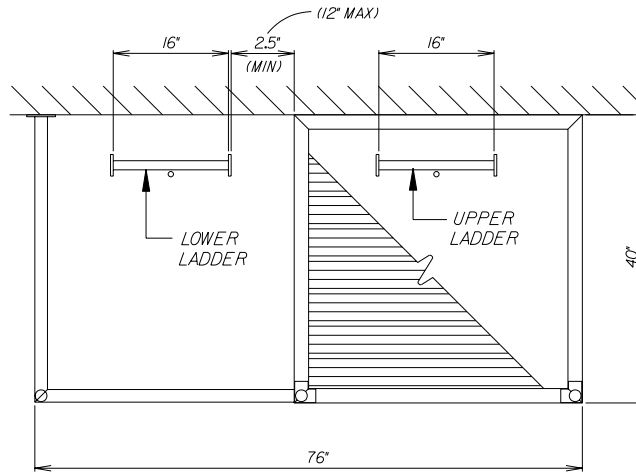
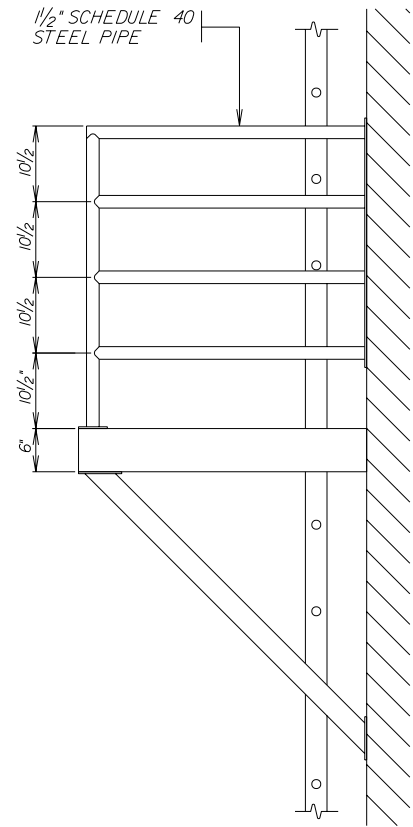
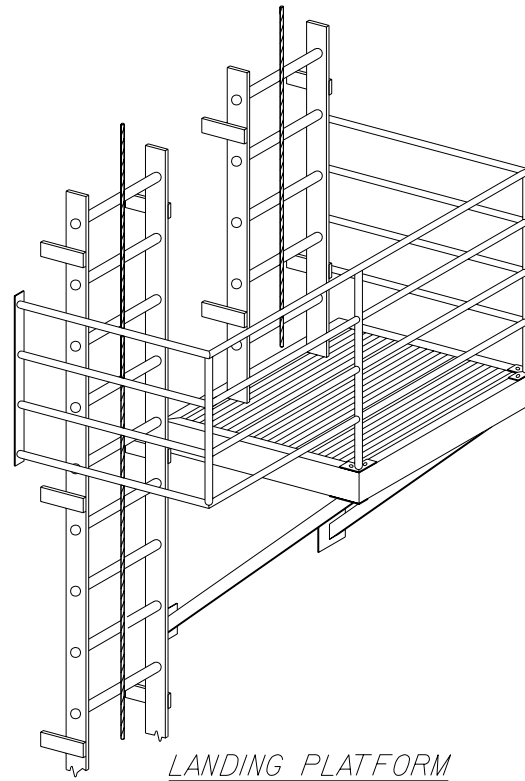


FRONT ELEVATION



NOTE:
EXTERIOR LADDERS- BLAST AND COAT W/ SAME SYSTEM SPECIFIED FOR EXTERIOR TANK.