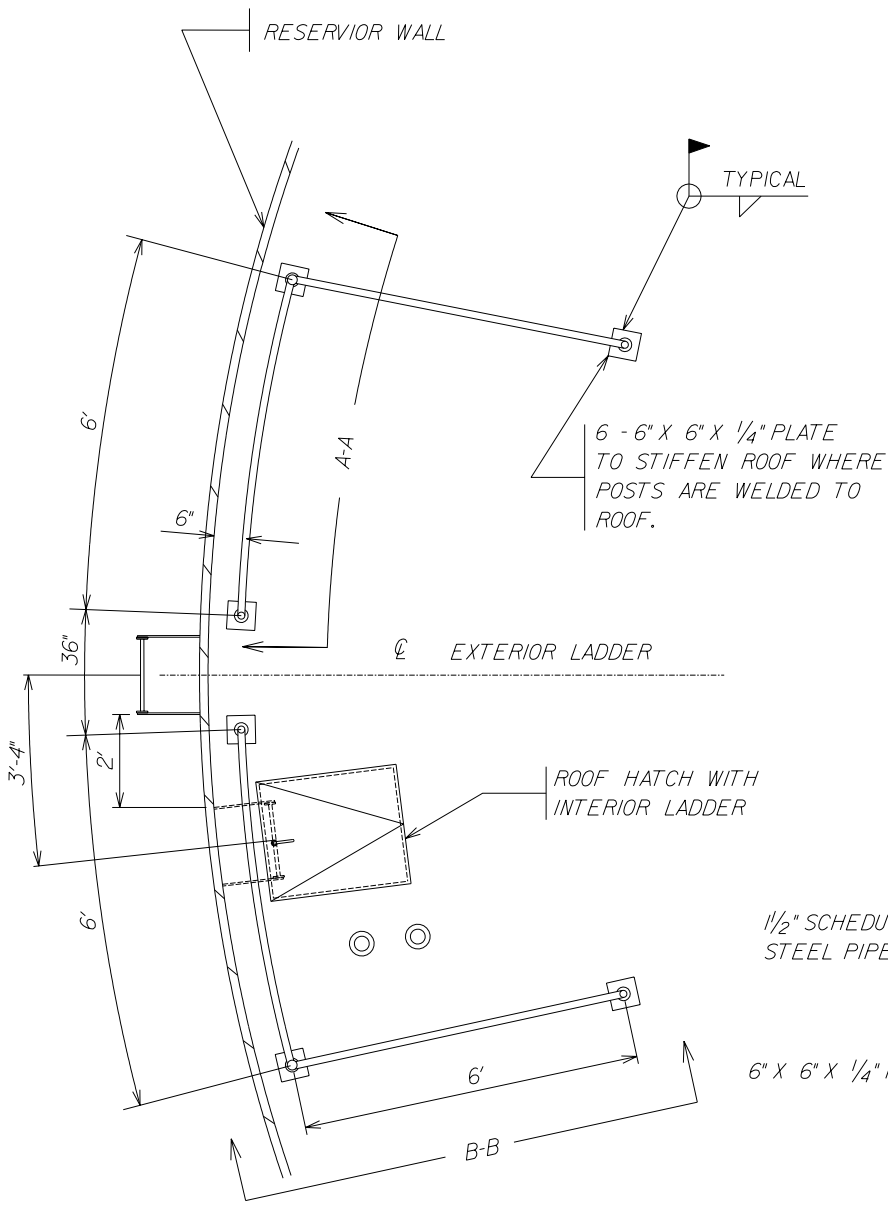
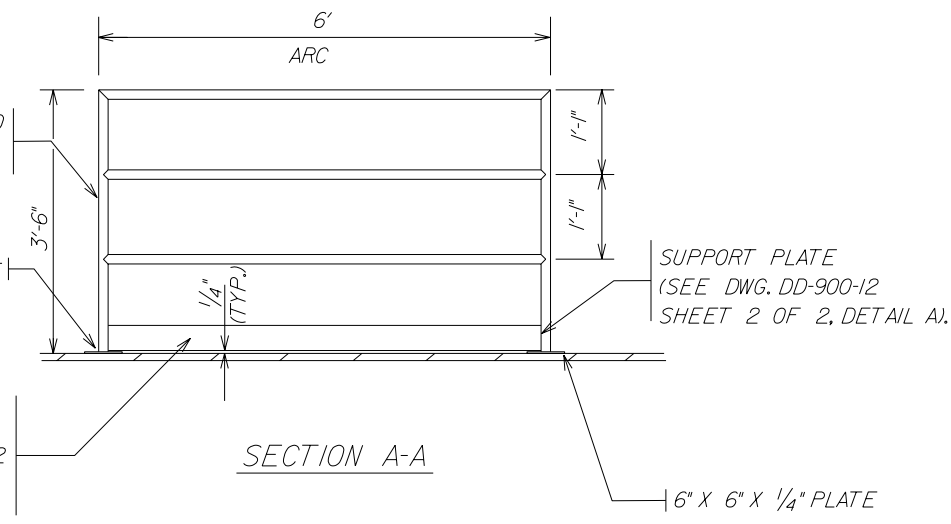
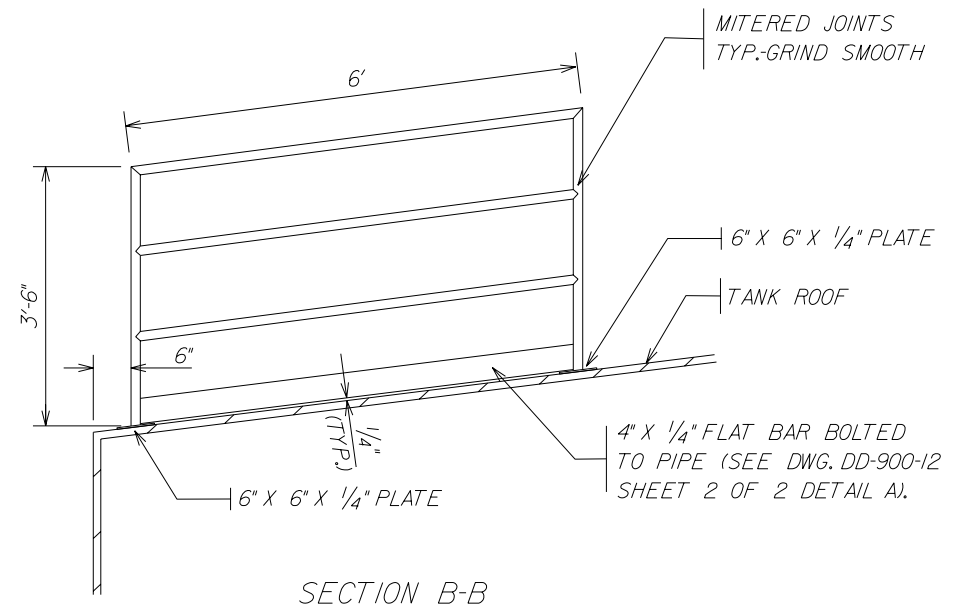


APPROVED	REVISD
7-14-00	9-11-03
	11-23-04
SHEET 3 OF 3	



TOP VIEW



4" X 1/4" FLAT BAR BOLTED TO PIPE (SEE DWG. DD-900-12 SHEET 2 OF 2 DETAIL A).