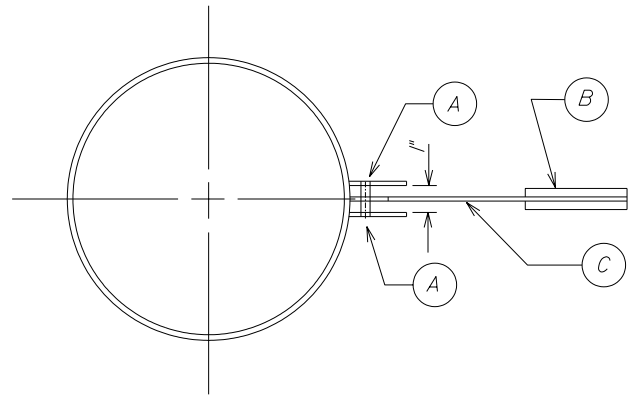
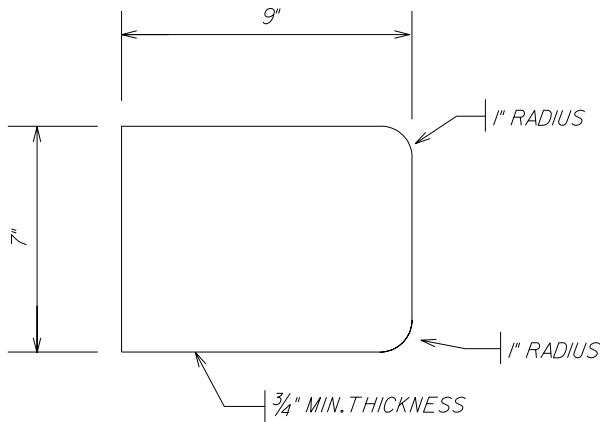


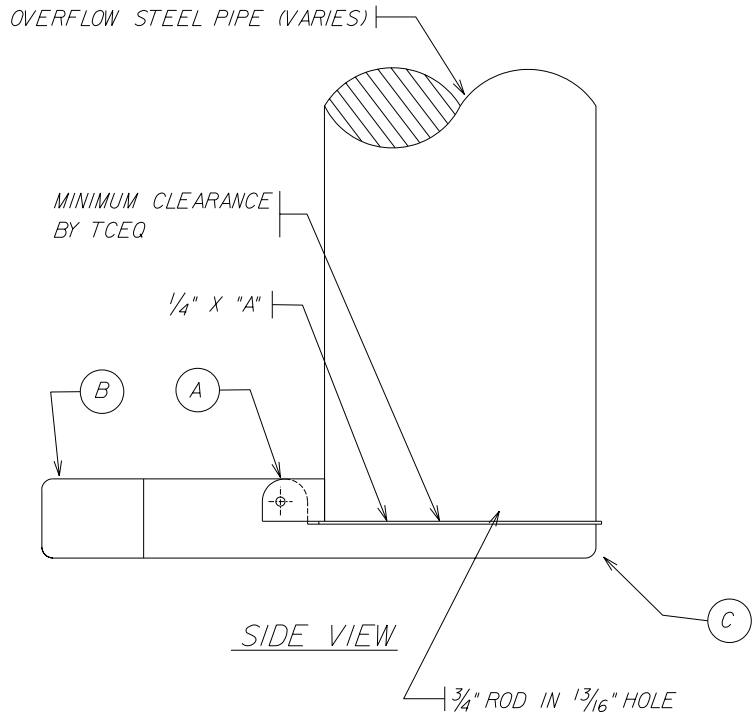
DETAIL (A)



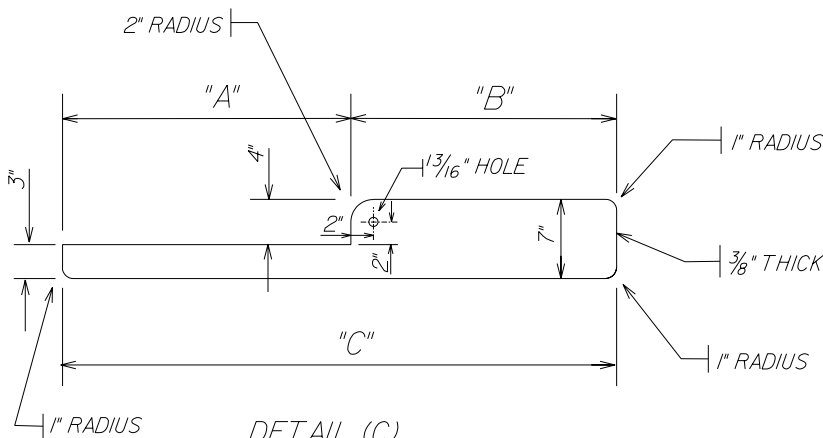
TOP VIEW



DETAIL (B)



SIDE VIEW



DETAIL (C)

PIPE DIA.	A	B	C
16"	17 1/2"	15 1/2"	33"
18"	19 1/2"	17 1/2"	37"
24"	25 1/2"	23 1/2"	49"

PROPERTY OF  
SAN ANTONIO WATER SYSTEM  
SAN ANTONIO, TEXAS

OVERFLOW FLAP  
VALVE

APPROVED

7-14-00

REVISED

9-11-03

11-23-04

DD-900-13

SHEET  
3 OF 11