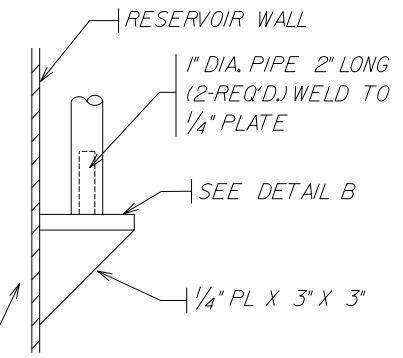
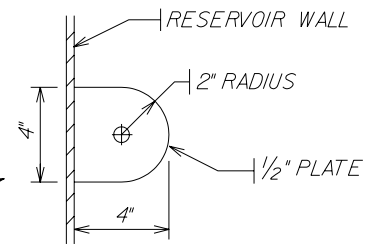


DETAIL C

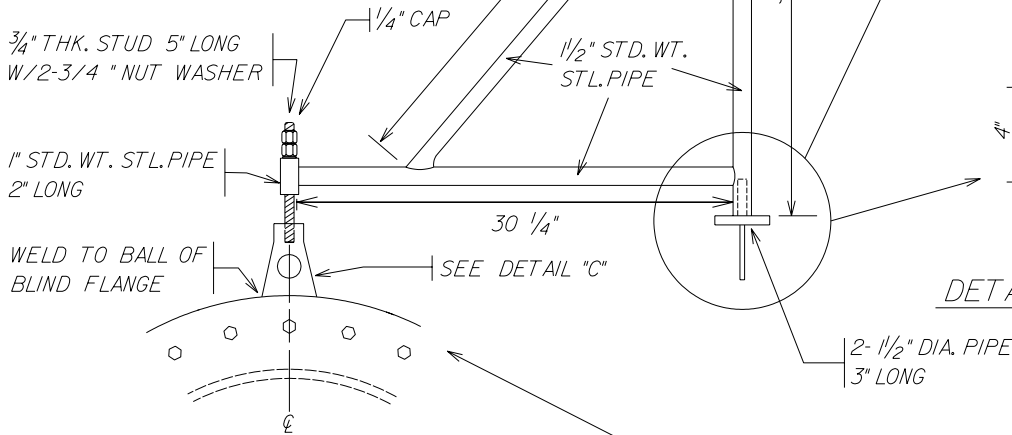
DETAIL SIMILAR TO
BOTTOM HINGE



DETAIL A (SIDE VIEW)



DETAIL B (TOP VIEW)



DAVIT DETAIL

PAD - MIN. SHELL THICKNESS X 74" O.D. X 37 1/8" I.D.
1 REQ'D OUTSIDE
* THICKNESS TO MATCH TANK WALL

1/8" NEOPRENE RUBBER X 44 3/8" O.D.
X 36" I.D.

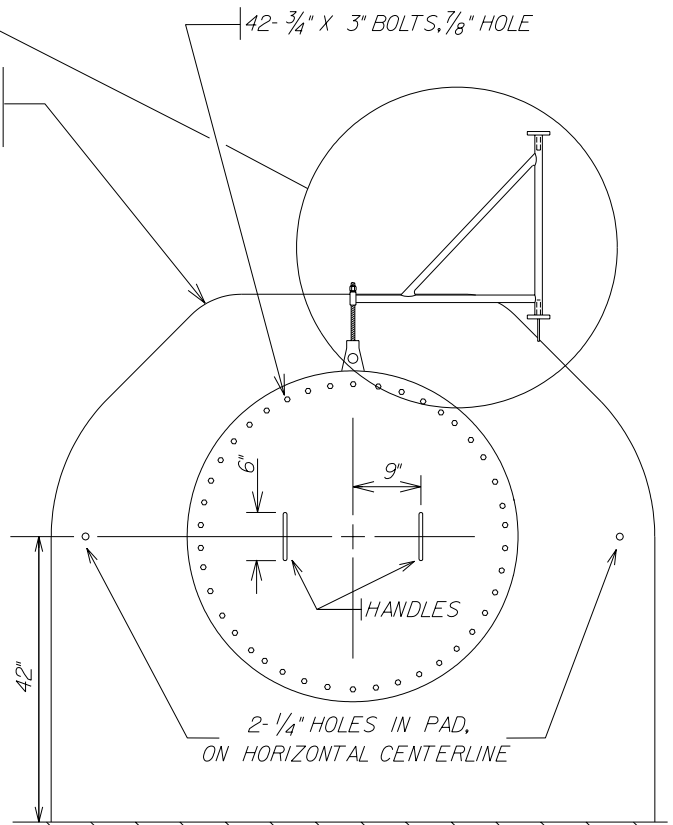
COVER- 1" MIN. THICK X 44 3/4" DIA.

1/2" DIA. ROD

NECK- 1/2" THICK X 10" X 114 9/16" X 36" I.D.

FLANGE- 1" THICK X 44 3/4" O.D. X 37" I.D.

SIDE VIEW



36" SHELL MANWAY

NOTE:
ALL WELDS SHALL BE CONTINUOUS FULL FILLET WELDS MINIMUM.
LARGER WELDS SHALL BE PROVIDED AS REQUIRED BY THE
TANK MANUFACTURER.

PROPERTY OF
SAN ANTONIO WATER SYSTEM
SAN ANTONIO, TEXAS

36" SHELL MANWAY
W/DAVIT

APPROVED

7-14-00

REVISED

9-11-03

11-23-04

DD-900-07

SHEET
1 OF 1