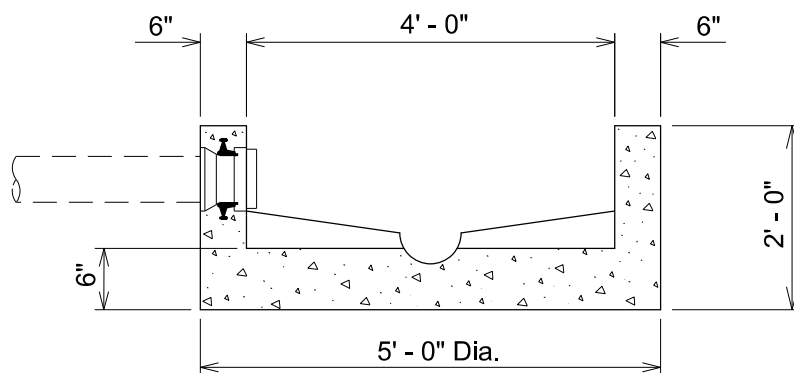


PLAN



SECTION A-A

PROPERTY OF
SAN ANTONIO WATER SYSTEM
 SAN ANTONIO, TEXAS

PRECAST MANHOLE BASE
 45° ANGLE

APPROVED
 March 2008

REVISED
 May 2013

DD-852-06

SHEET
1 OF **1**