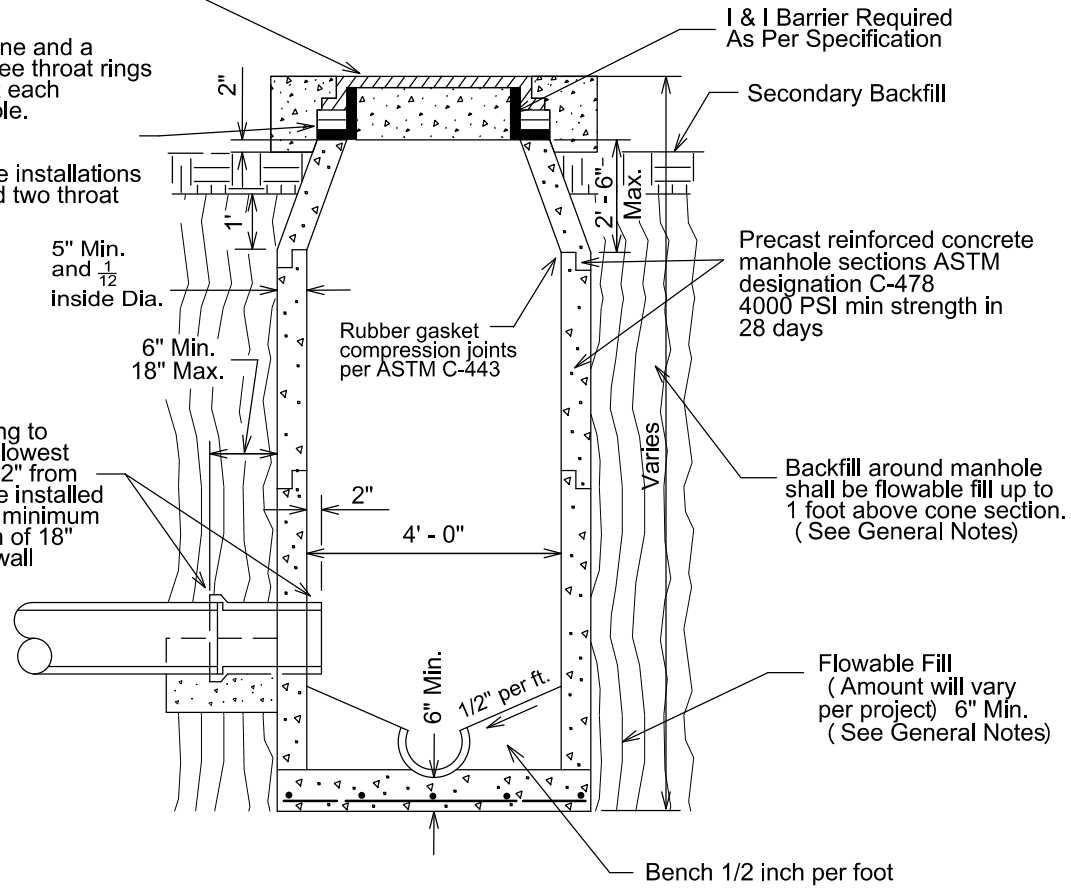


Manhole Ring and Cover  
( See DD-852-07  
Sheets 1-5)

Adjusted:  
A minimum of one and a  
maximum of three throat rings  
shall be used at each  
adjusted manhole.

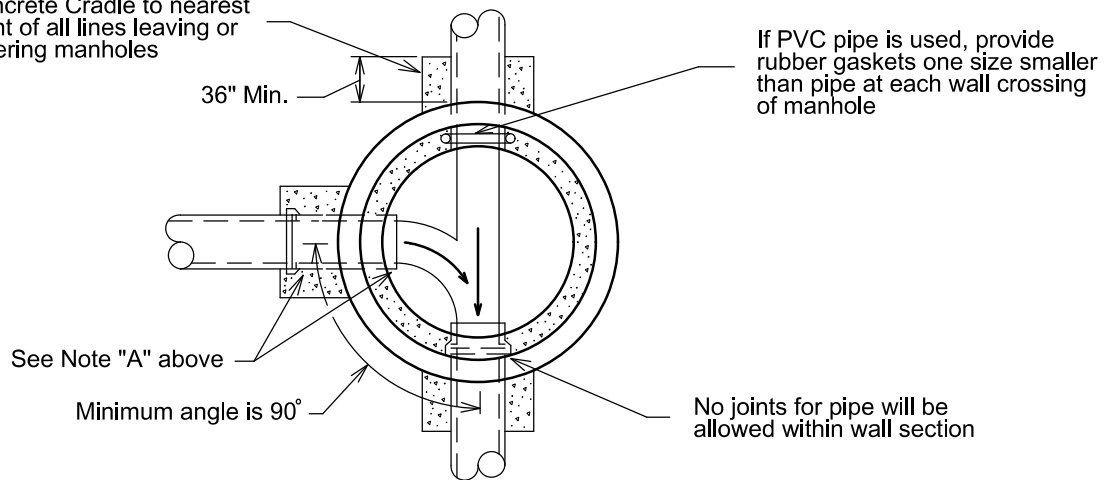
New:  
All new manhole installations  
shall not exceed two throat  
rings.



Note "A"  
Sewer pipe connecting to  
manholes above the lowest  
sewer shall protrude 2" from  
the inside wall and be installed  
with a joint located a minimum  
of 6" and a maximum of 18"  
from outer manhole wall

**PRECAST MANHOLE**

Concrete Cradle to nearest  
point of all lines leaving or  
entering manholes



**MANHOLE FLOOR PLAN**

**General Notes:**

- 1) Material for sanitary sewer pipe must be the same from manhole to manhole. Changes in type of pipe may be made only at manholes, or special structures, except as approved by the SAWS inspector.
- 2) Adaptors and Concrete Collars shall be used as directed and approved by the SAWS inspector.
- 3) Refer to DD-852-07 for watertight manhole rings and covers.
- 4) The minimum angle of flow for a connecting sewer to the direction of flow defined by a collection system is 90 degrees, unless approved by the engineer.
- 5) Contractor can opt to backfill with approved secondary material, subject to provisions of item 304.5.2.C.