

San Antonio Water System Standard Specifications for Construction

ITEM NO. 845

Gate, Fencing, and Property Marker Details

845.1 DESCRIPTION: This item shall consist of gates, fences, and property markers installed, replaced, or modified in accordance with these specifications and as directed by the Engineer.

845.2 REFERENCED STANDARDS: Reference standards cited in this Specification Item No. 845 refer to the current reference standard published at the time of the latest revision date logged at the end of this Specification Item No. 845, unless a date is specifically cited.

1. San Antonio Water System (SAWS):
 - a. Specifications for Water and Sanitary Sewer Construction
 - b. SAWS Materials Specifications
2. City of San Antonio (COSA) Standard Specification for Construction

845.3 SUBMITTALS: Contractor shall submit manufacturer's product data, installation instructions, recommendations, shop drawings, and any required installer certification(s). All submittals shall be in accordance with Engineer's requirements and submittals shall be approved prior to delivery.

845.4 MATERIALS: The materials for gate and fence installation and/or adjustment, as well as property marker installation shall conform to those as identified on drawings DD-845 Drawing Series.

845.5 MEASUREMENT:

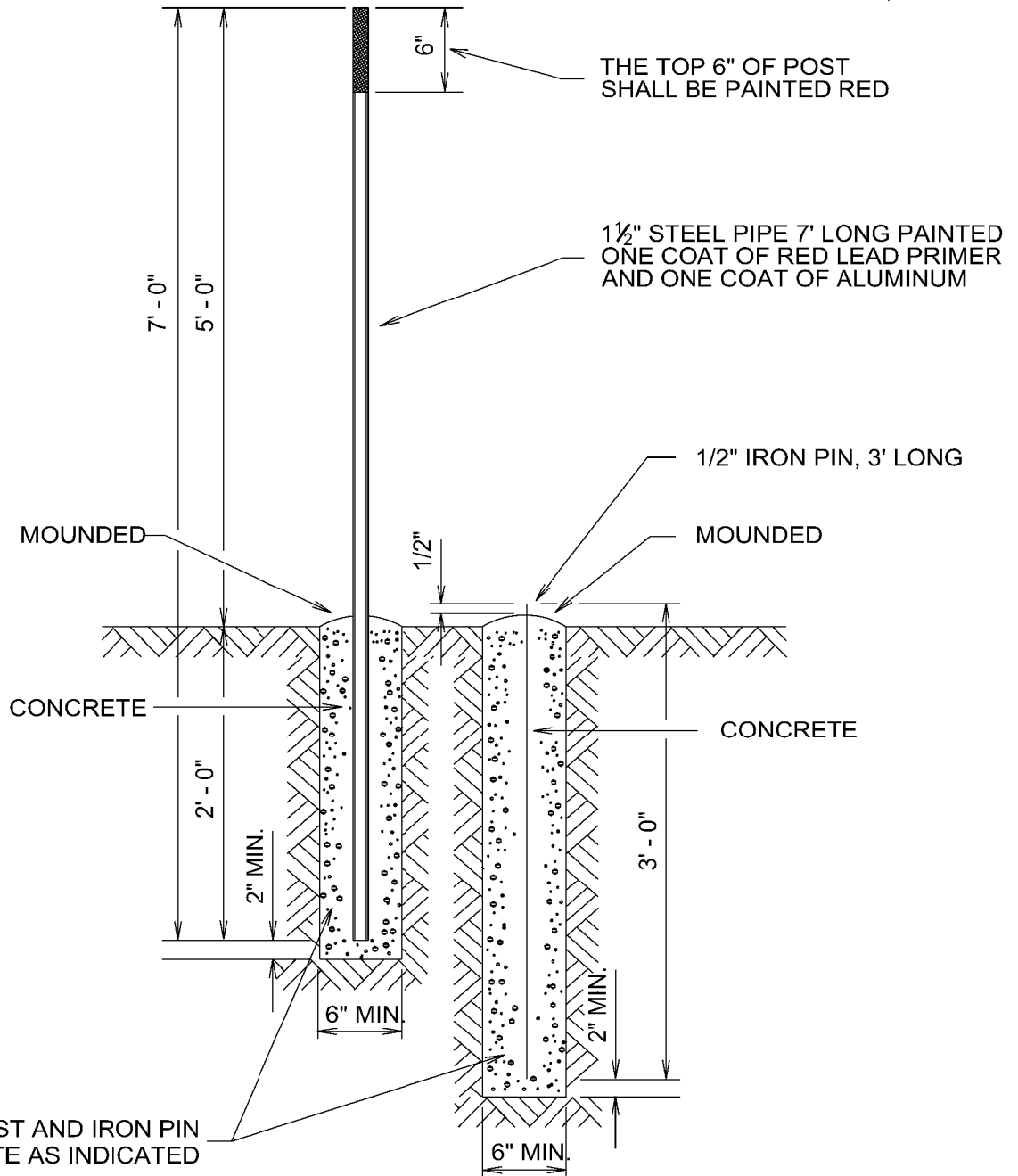
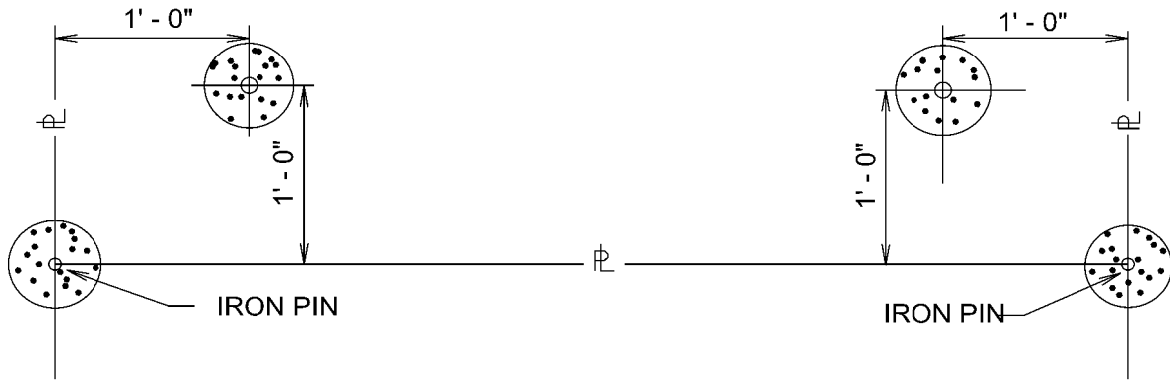
1. Measurement for fencing installed will be measured by the linear foot for each size and type shown installed, replaced, or modified herein or as superseded by the contract documents.
2. Measurement for gates installed will be measured by the unit of each hinged or cantilevered assembly shown installed herein or as superseded by the contract documents.
3. Measurement for property markers will be measured by the unit of each assembly shown installed herein or as superseded by the contract documents.

845.6 PAYMENT:

1. Payment for fencing will be made at the unit price bid for each linear foot installed.
2. Payment for gates will be made at the unit price bid for each such assembly of the type and size installed in accordance with the details shown in the Standard Drawing DD-845 Drawing Series, or as superseded by the contract documents.
3. Payment for property markers will be made at the unit price bid for each such assembly of the type and size installed in accordance with the details shown in the Standard Drawing DD-845 Drawing Series, or as superseded by the contract documents.

San Antonio Water System Standard Specifications for Construction

End of Specification



SET GUARD POST AND IRON PIN IN CONCRETE AS INDICATED

PROPERTY OF
SAN ANTONIO WATER SYSTEM
SAN ANTONIO, TEXAS

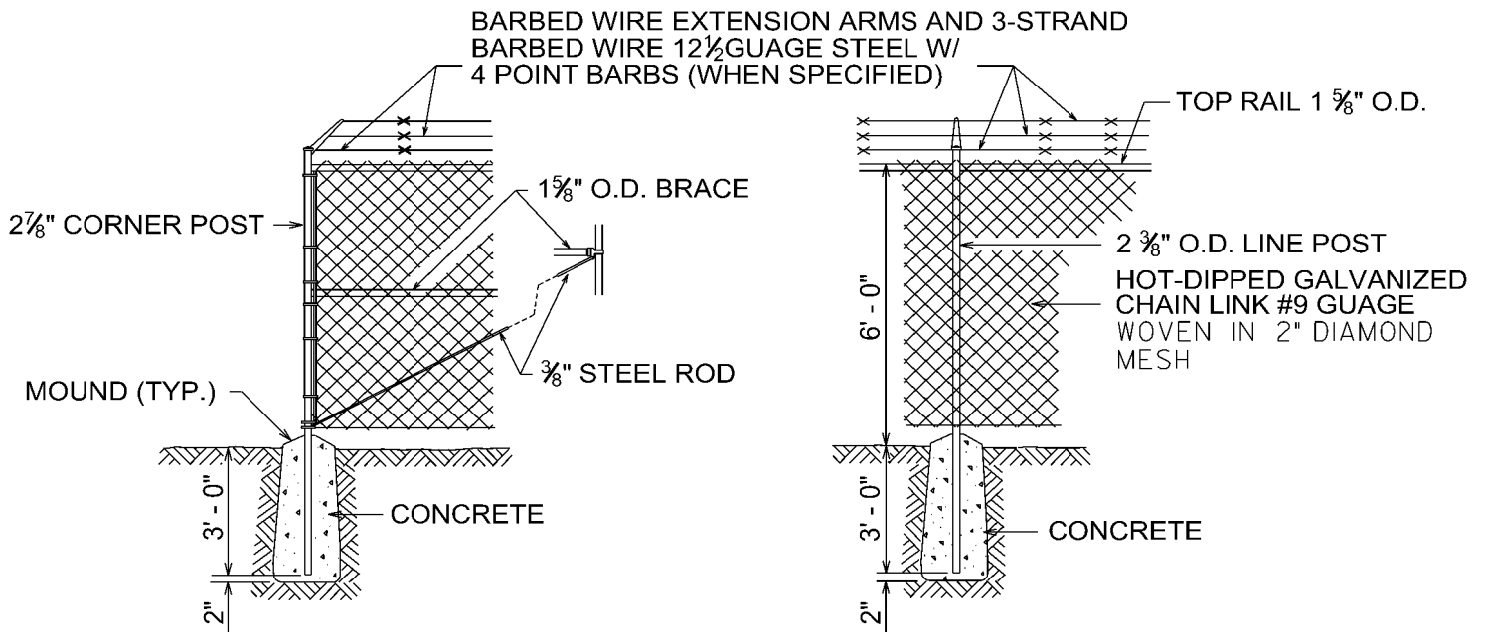
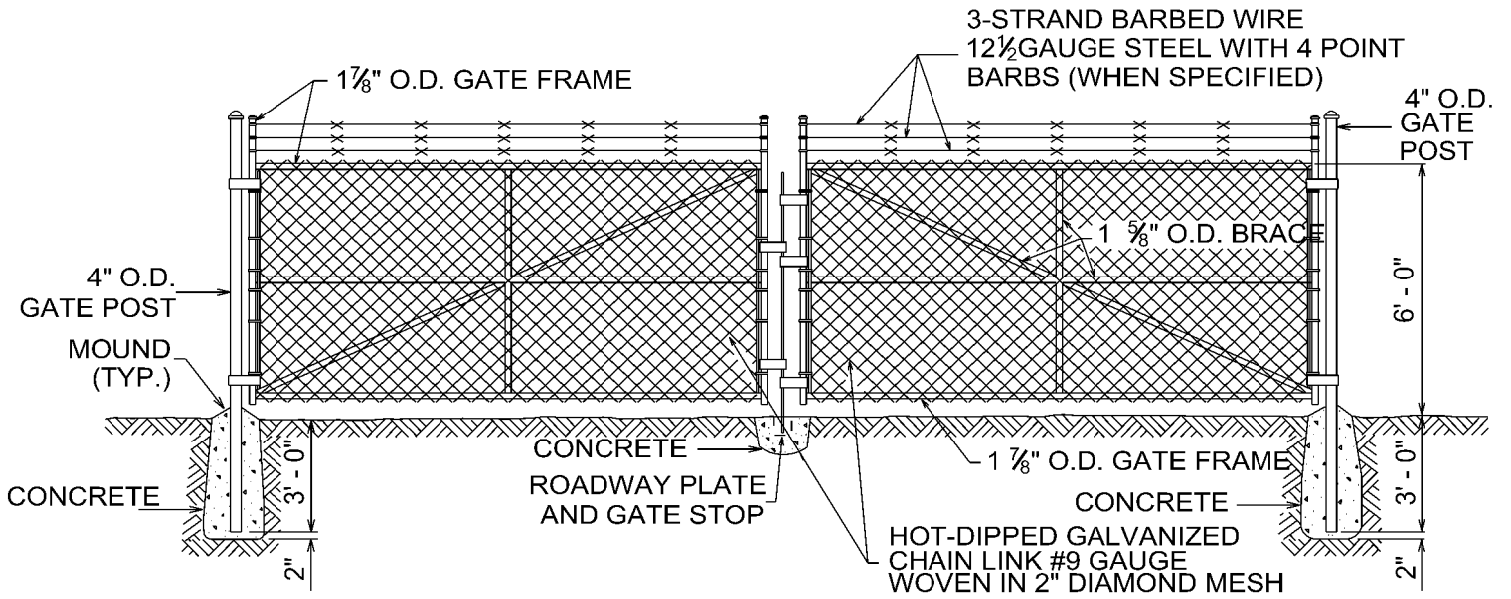
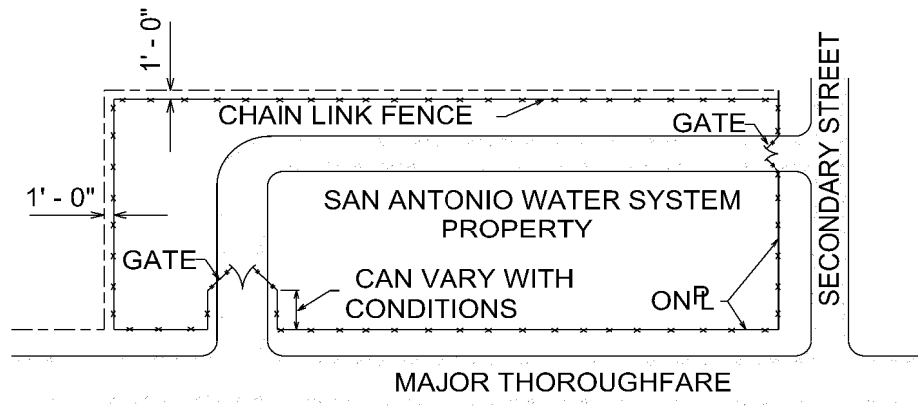
SAWS PROPERTY
MARKER ON
UNFENCED PROPERTY

APPROVED
March 2008

REVISED
AUG 2019

DD-845-01

SHEET
1 OF 1



PROPERTY OF SAN ANTONIO WATER SYSTEM SAN ANTONIO, TEXAS	STANDARD GATE AND FENCE AROUND SAWS PROPERTY	APPROVED	REVISED
		March 2008	
		DD-845-02	
		SHEET 1 OF 1	